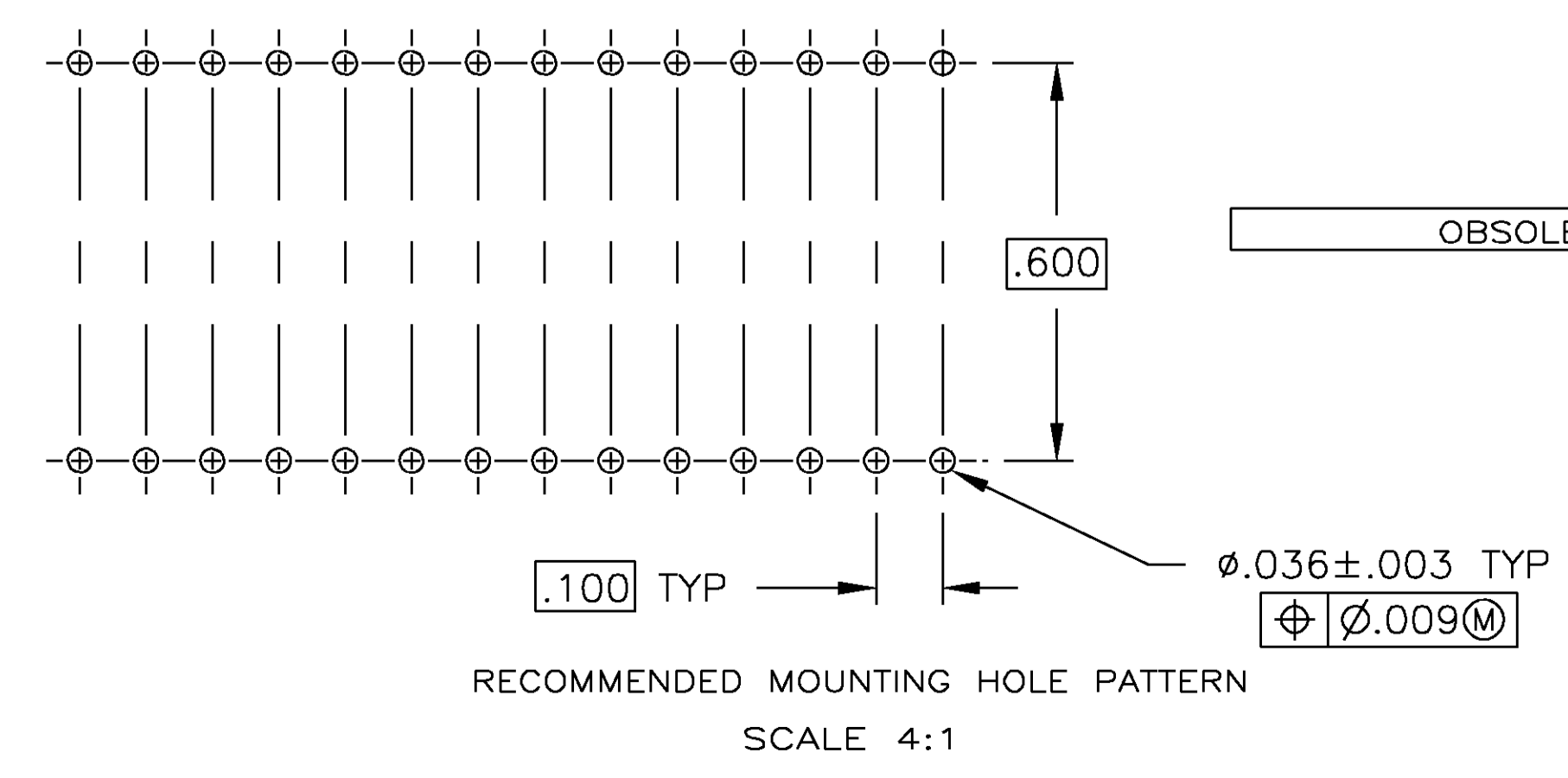
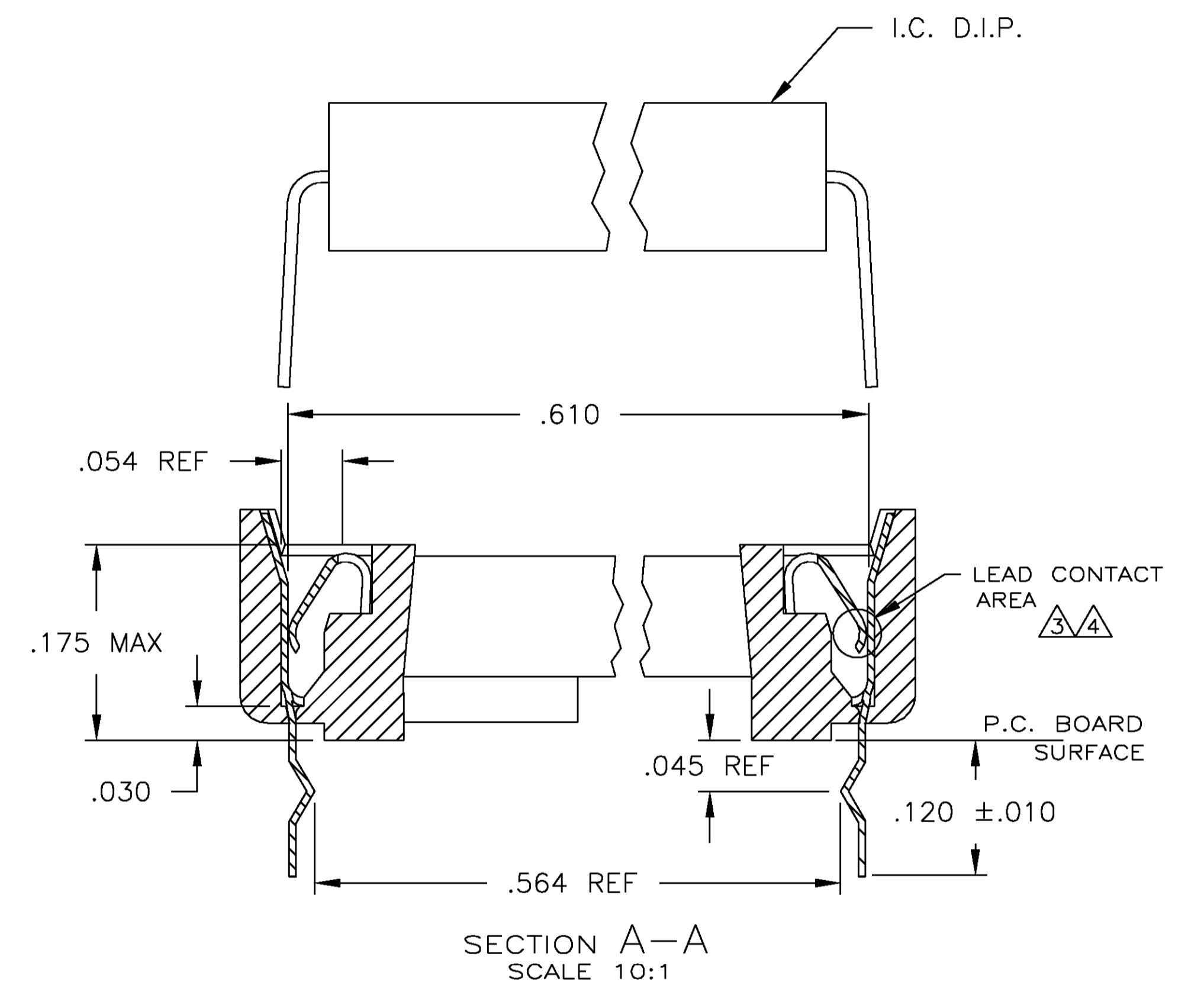
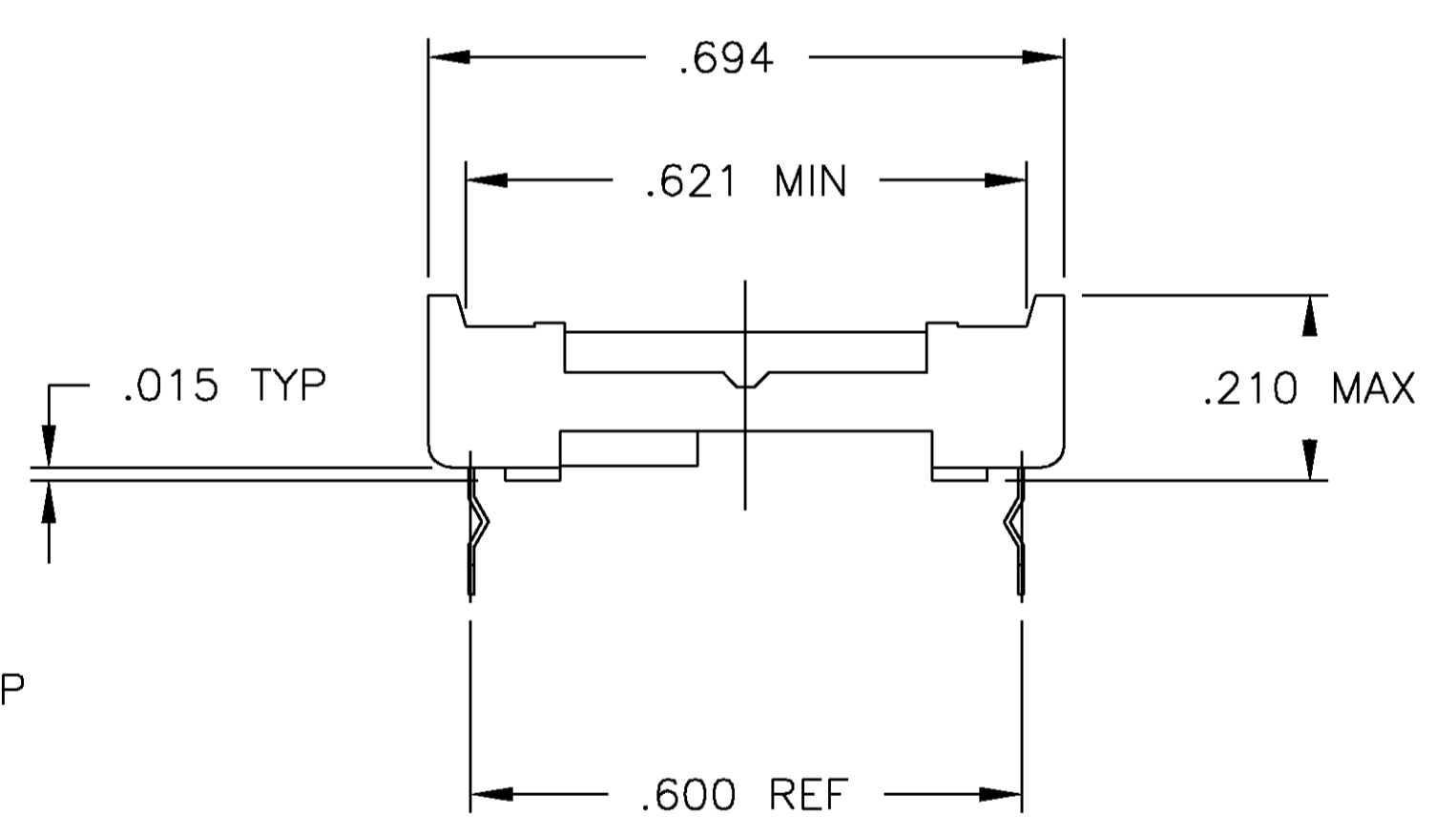
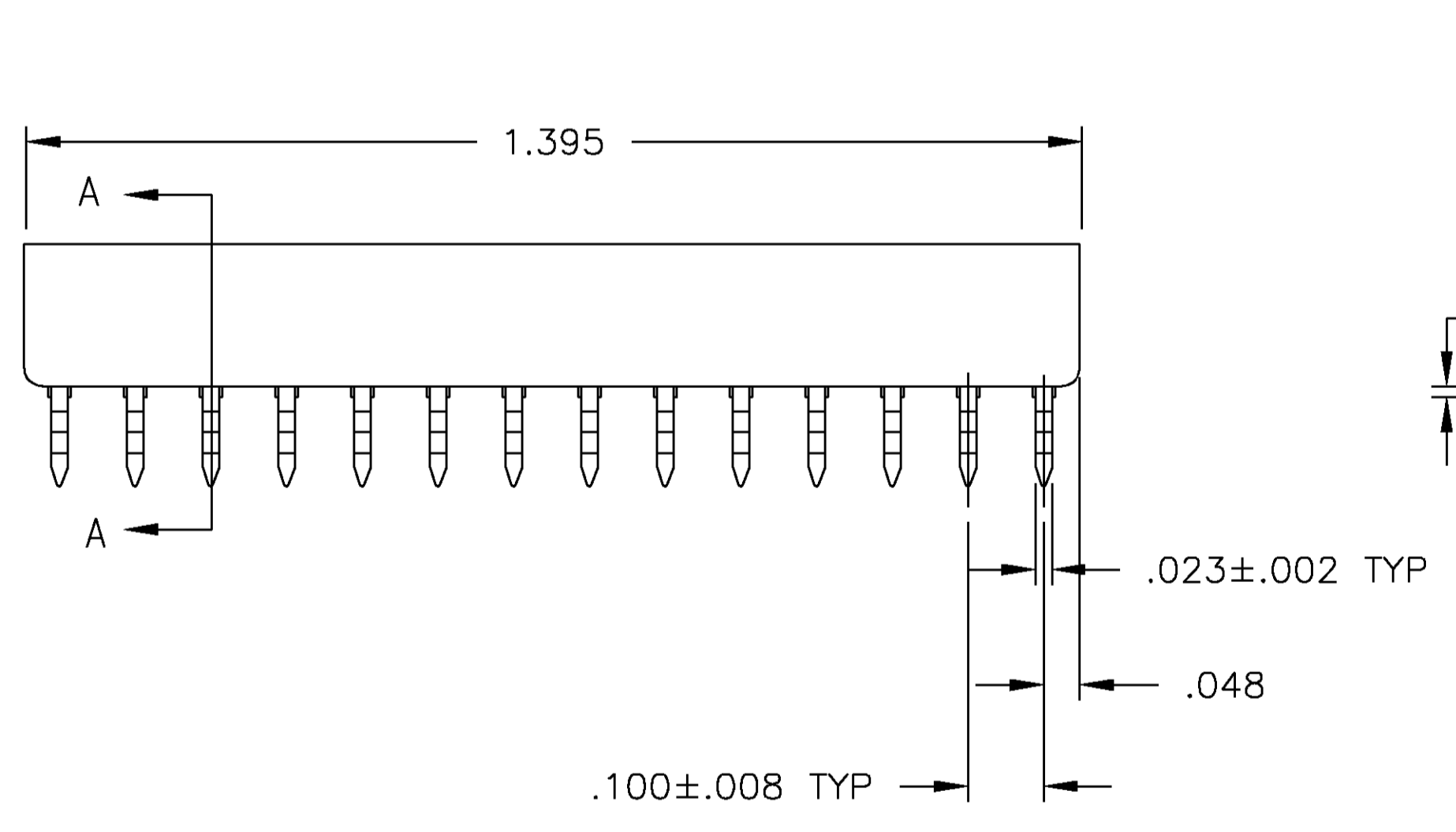
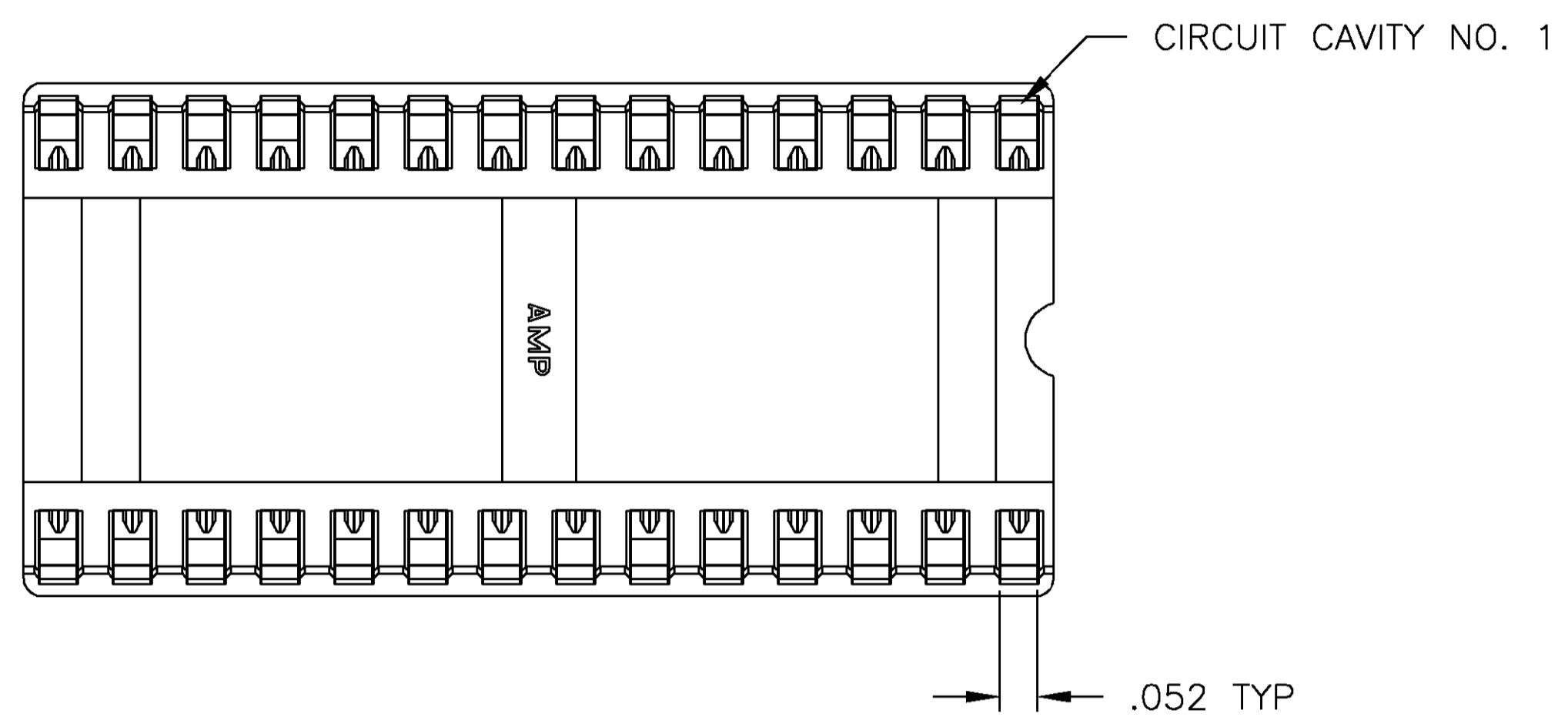


1. RECEPTACLE ACCEPTS A .008-.014 THICK I.C. LEAD.
2. TUBE LOADED.
3. TWO .000030 MIN THK. GOLD STRIPES IN CONTACT AREA WITH TIN-LEAD (93/7) ON CONTACT LEGS, BALANCE OF CONTACT NICKEL PLATED.
4. TWO .000015 MIN THK. GOLD STRIPES IN CONTACT AREA WITH TIN-LEAD (93/7) ON CONTACT LEGS, BALANCE OF CONTACT NICKEL PLATED.



OBSOLETE	TINNED	PHOS.BRZ. .006 THK	GLASS-FILLED THERMOPLASTIC, 94V-O, BLACK	2-641615-5
	3	PHOS.BRZ. .006 THK	GLASS-FILLED THERMOPLASTIC, 94V-O, BLACK	2-641615-4
	TINNED	PHOS.BRZ. .006 THK	GLASS-FILLED THERMOPLASTIC, 94V-O, BLACK	2-641615-3
	3	BE.CU. .006 THK	GLASS-FILLED THERMOPLASTIC, 94V-O, BLACK	2-641615-2
	TINNED	BE.CU. .006 THK	GLASS-FILLED THERMOPLASTIC, 94V-O, BLACK	2-641615-1
CONTACT FINISH	CONTACT MAT'L	HOUSING MATERIAL		PART NO.
THIS DRAWING IS A CONTROLLED DOCUMENT.				
DIMENSIONS: INCHES		TOLERANCES UNLESS OTHERWISE SPECIFIED:		APVD H WYNKOOP
0 PLC ± -		1 PLC ± -		17NOV00
1 PLC ± -		2 PLC ± -		NAME
2 PLC ± -		3 PLC ± .005		H WYNKOOP
3 PLC ± -		4 PLC ± -		PRODUCT SPEC
4 PLC ± -		ANGLES ± α-30°		108-1066
MATERIAL SEE TABLE		FINISH SEE TABLE		APPLICATION SPEC
				114-1049
				SIZE
				100779
				CAGE CODE
				641615
				DRAWING NO
				RESTRICTED TO
				-
				SCALE
				5:1
				SHEET
				1 OF 1
				REV
				Y